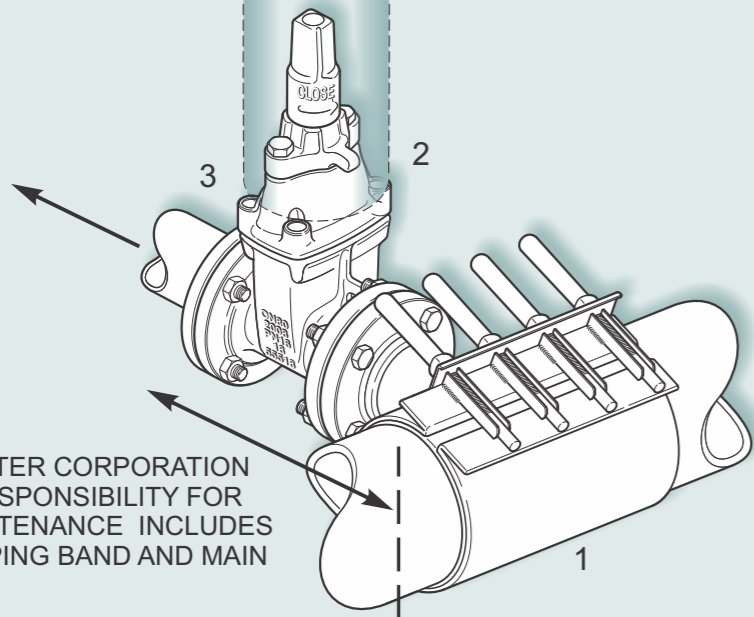


SURFACE COVER TO ACCESS SLUICE VALVE

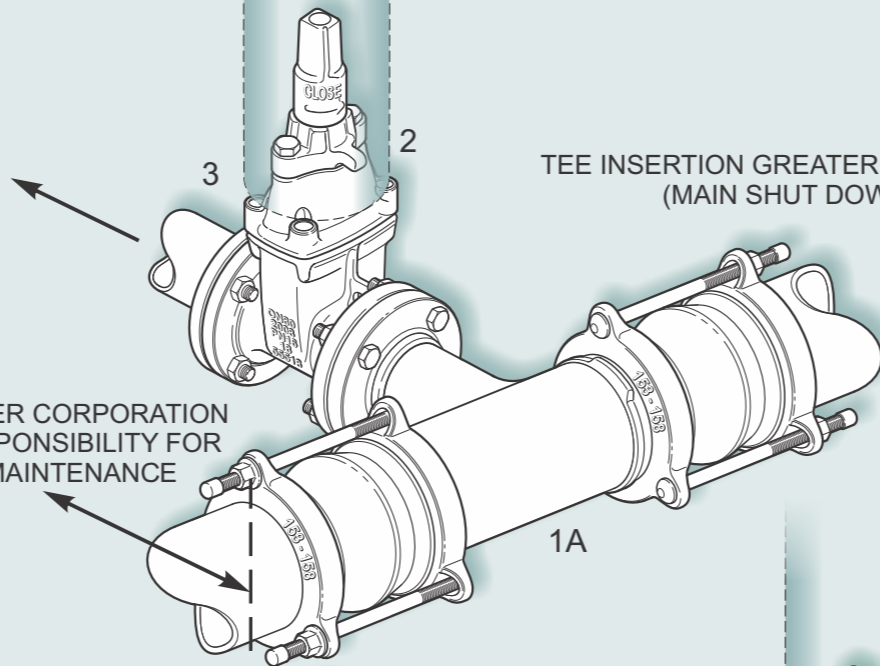
NOTE :
 IN ACCORDANCE WITH WATER (ESTIMATION, SUPPLY & SEWERAGE) REGULATIONS 2014, THE WATER CORPORATION IS RESPONSIBLE TO MAINTAIN THE GENERAL/RECYCLED WATER SERVICE FROM THE WATER MAIN TO THE PROPERTY
 FOR DETAILS SEE OUR WATER METERING & SERVICING GUIDELINES SECTION ON RESPONSIBILITIES

SCHEDULE OF ITEMS	
ITEM NO.	DESCRIPTION
1	TAPPING BAND
1A	TEE
2	FERRULE/BALL/GATE/SLUICE VALVE SUPPLIED BY WATER CORPORATION AT OWNERS COST
2A	DIVIDE VALVE
3	PIPE & FITTINGS MUST BE WATERMARK APPROVED
TAPPING HOLE DIMENSIONS AS PER TAPPING GUIDELINES	



WATER CORPORATION RESPONSIBILITY FOR MAINTENANCE INCLUDES TAPPING BAND AND MAIN

TAPPING UNDER PRESSURE GREATER THAN 50mm

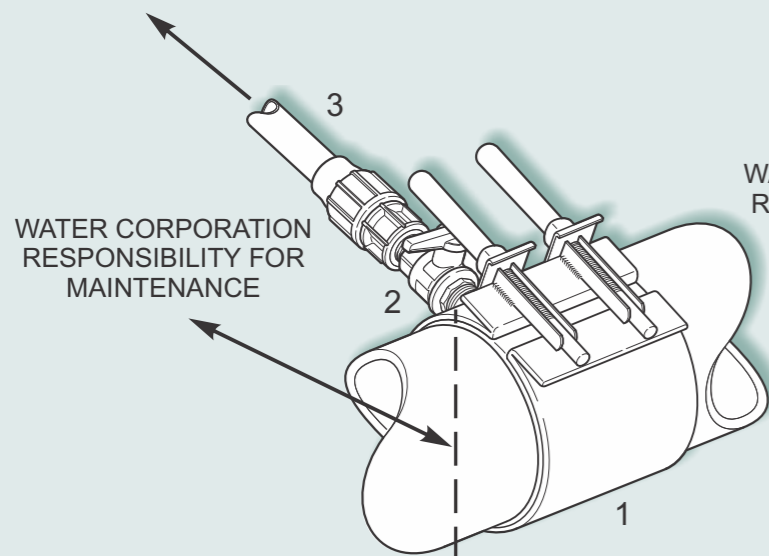


TEE INSERTION GREATER THAN 50mm (MAIN SHUT DOWN)

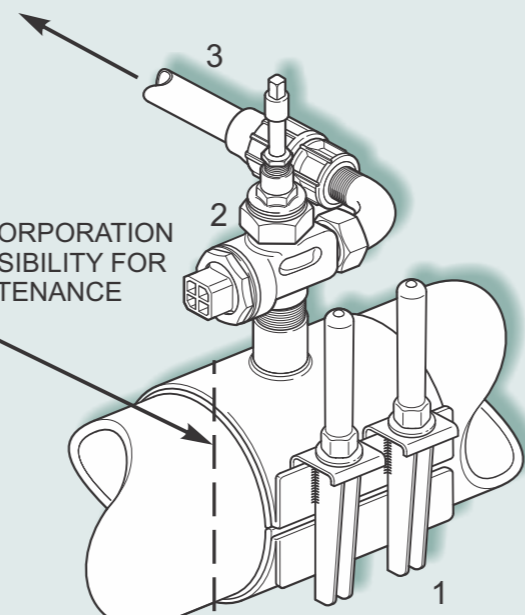
SURFACE COVER TO ACCESS SLUICE VALVES AND DIVIDE VALVE

WATER CORPORATION RESPONSIBILITY FOR MAINTENANCE

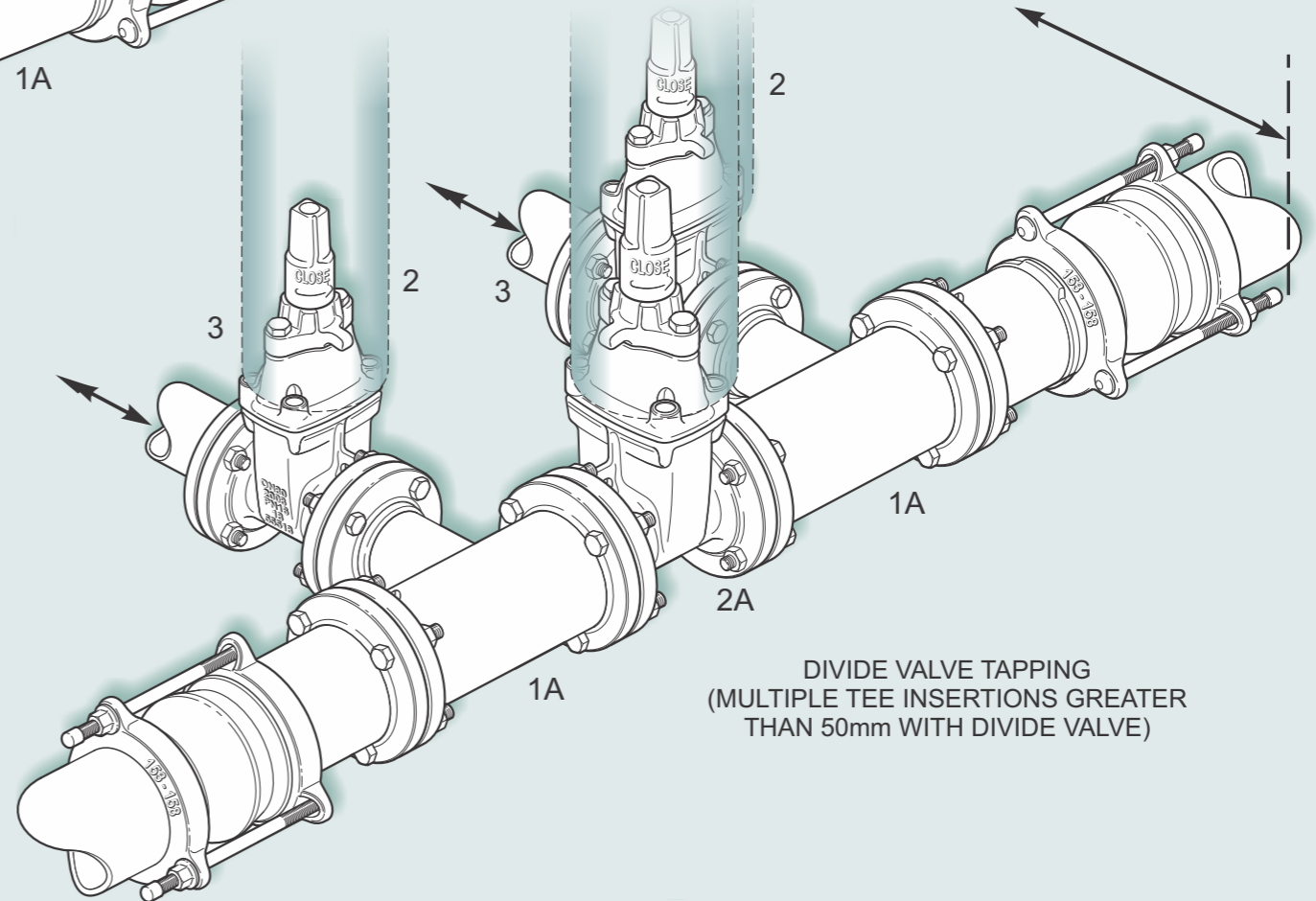
WATER CORPORATION RESPONSIBILITY FOR MAINTENANCE



TAPPING UNDER PRESSURE UP TO 50mm (BALL VALVE)



TAPPING UNDER PRESSURE UP TO 50mm (FERRULE & BEND)



DIVIDE VALVE TAPPING (MULTIPLE TEE INSERTIONS GREATER THAN 50mm WITH DIVIDE VALVE)

DRAWING NUMBER:

18

SCALE:

NOT TO SCALE

DATE:

JULY 2017

DRINKING/RECYCLING WATER TAPPING CONFIGURATIONS
 TYPICAL ARRANGEMENT

