

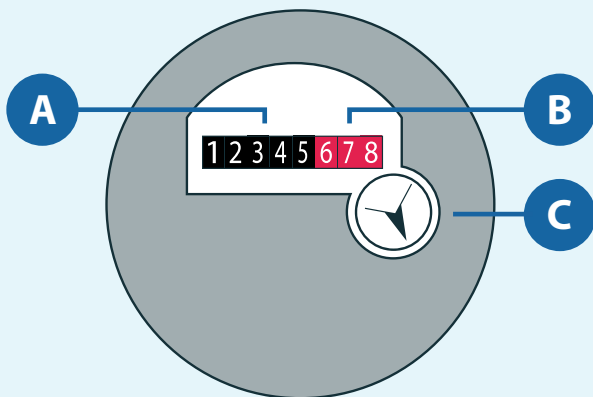


Fact sheet

# How to read your water meter

## Understanding the most common water meter types

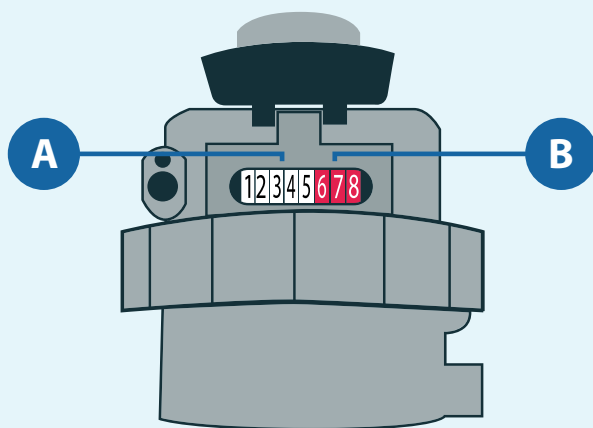
**1 kilolitre (kl)  
=  
1,000 litre (ltr)**



### Itron TD8

- A)** White numbers on black background (5 digits) shows kilolitres.
- B)** White numbers on red background (3 digits) shows, from left to right - hundreds of litres, tens of litres and litres.
- C)** A 'tell tale' indicator for slow leaks:  
1 full rotation = 1 litre.

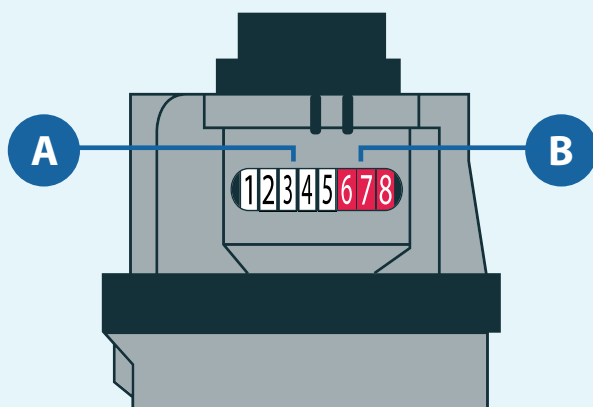
**This meter reading = 12,345 kls & 678 ltrs**



### GVT

- A)** Black numbers on a white background (5 digits) shows kilolitres.
- B)** White numbers on a red background (3 digits) shows, from left to right - hundreds of litres, tens of litres and litres.

**This meter reading = 12,345 kls & 678 ltrs**



### Honeywell V100 (previously Elster V100)

- A)** Black numbers on a white background (5 digits) shows kilolitres.
- B)** White numbers on a red background (3 digits) shows, from left to right - hundreds of litres, tens of litres and litres.

**This meter reading = 12,345 kls & 678 ltrs**